



Energy ON

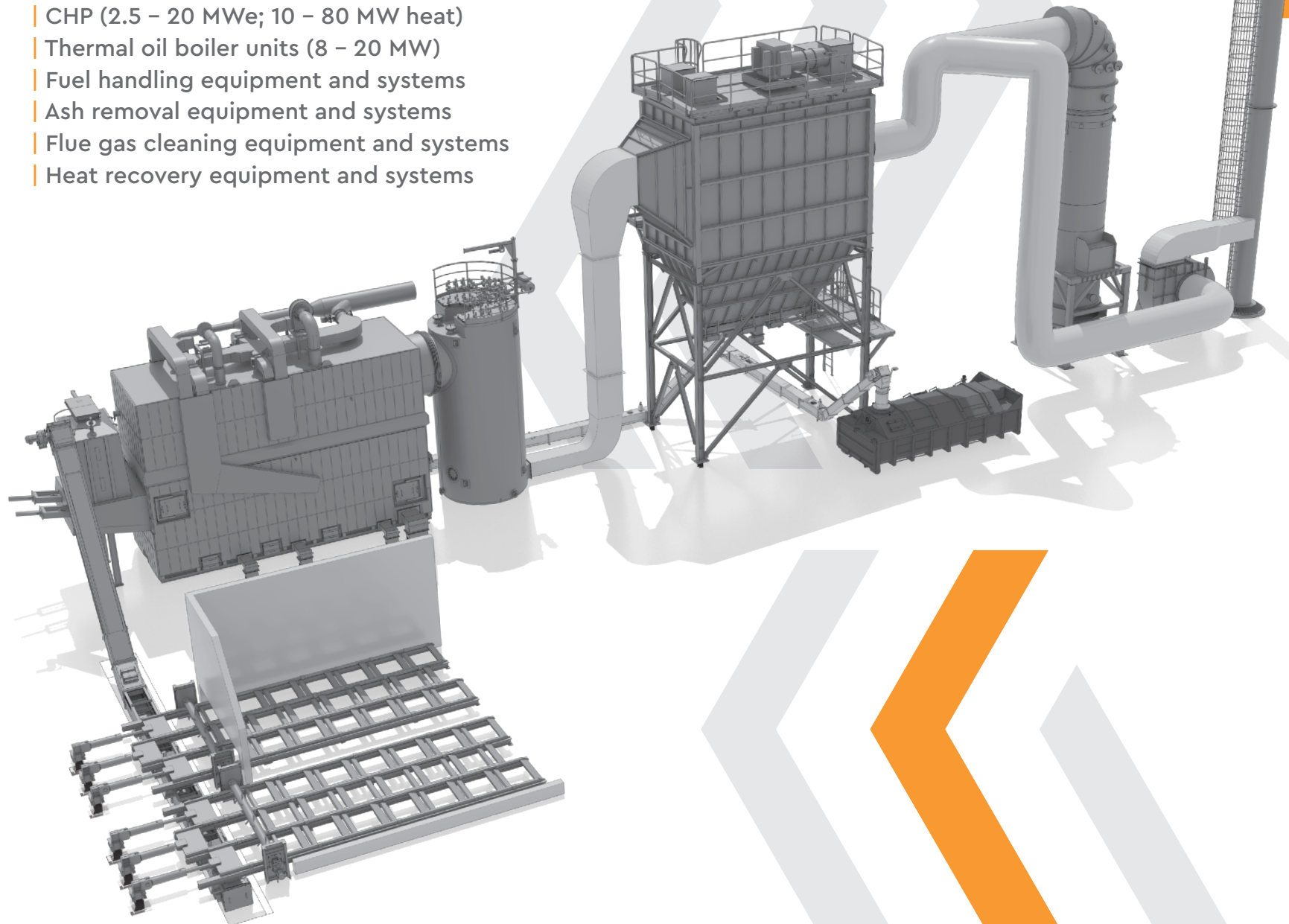
**BIOMASS
ENERGY**

ABOUT US

Energy ON has an energetic team of pure biomass energy professionals who has extensive experience of over 20 years in this field. Our people create solutions for high-potential biomass energy equipment, specialized efficiency solutions and emissions control projects for a wide range of industries.

SOLUTIONS

- | Water heating boiler units (5 – 50 MW heat)
- | Saturated heat boiler units (8 – 25 t/h)
- | Superheated boiler units (10 – 25 t/h)
- | CHP (2.5 – 20 MWe; 10 – 80 MW heat)
- | Thermal oil boiler units (8 – 20 MW)
- | Fuel handling equipment and systems
- | Ash removal equipment and systems
- | Flue gas cleaning equipment and systems
- | Heat recovery equipment and systems



MAIN PRODUCTS & SERVICES

1

BIOMASS
ENERGY

2

EFFICIENCY
EQUIPMENT

3

EMISSION
REDUCTION

4

COMBUSTION
STUDY

5

TECHNICAL
& ENERGY
MONITORING

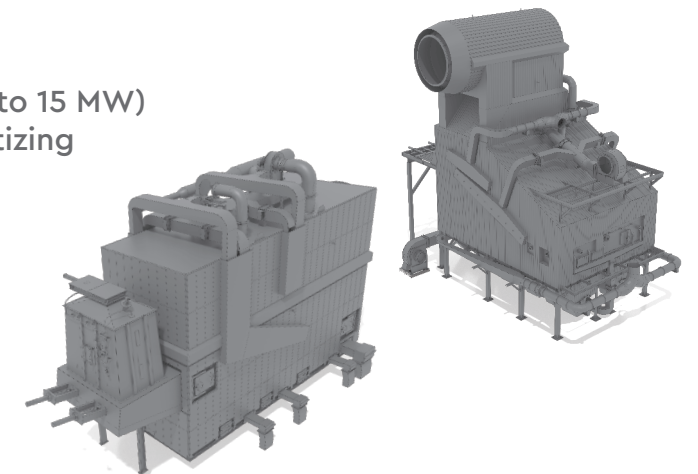
6

ENERGY
STORAGE
(BESS)

PRODUCTS

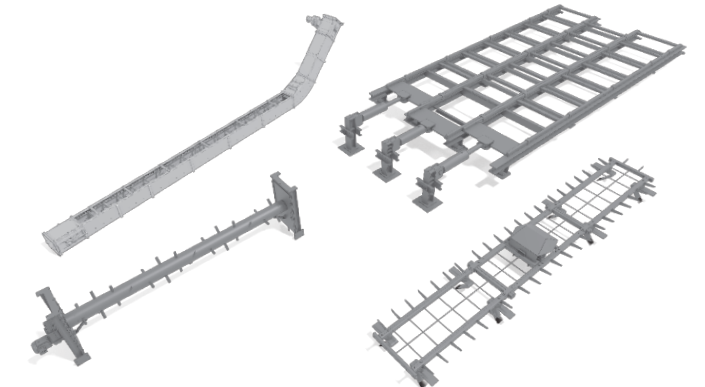
1 BIOFUEL FURNANCE

- | Moving step grate furnace (up to 15 MW)
- | Combustion chamber for pelletizing lines (up to 7 MW)
- | Standard combustion chamber (up to 24 MW)
- | Dry fuel combustion chamber (up to 10 MW)
- | Bubbling fluidized bed furnace (up to 50 MW)
- | Vibrating grate (custom size)



2 FUEL SUPPLY EQUIPMENT

- | Moving floor platforms
- | Fuel layer leveller
- | Scrapper conveyors
- | Vibro - sieves
- | Screw conveyors
- | Fuel distribution systems
- | Fuel sorting systems
- | Grab system

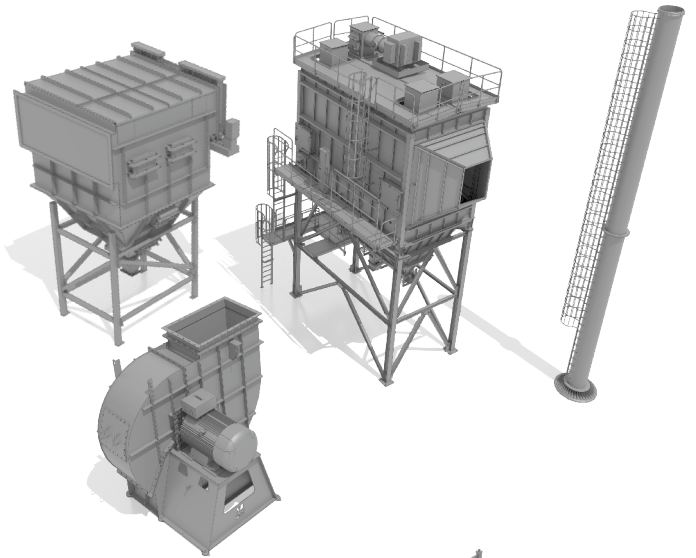


3 FLUE GAS TREATMENT AND EXHAUST SYSTEMS

- | Multicyclone (up to 150 mg / Nm²)
- | Electrostatic precipitator (ESP) (up to 10 mg / Nm²)
- | Bag filter (up to 10 mg / Nm²)
- | Wet-type electrostatic filtre (up to 1 mg / Nm²)
- | Flue gas ducts and dampers
- | Stack

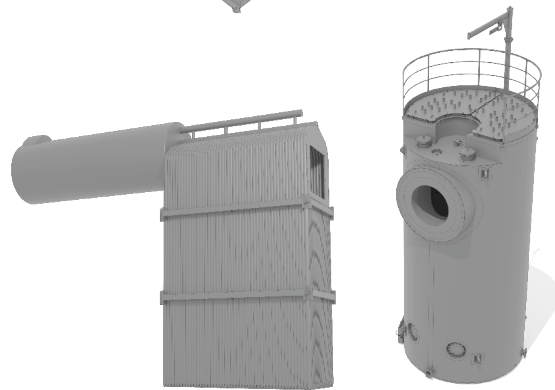
SOLUTIONS FOR REDUCING NOX

- | SNCR system



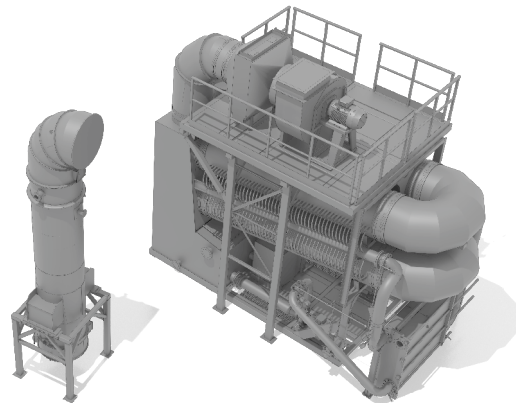
4 BOILERS

- | Water heating boilers
- | Steam boilers
- | Thermal oil boilers
- | Liquid fuel boilers



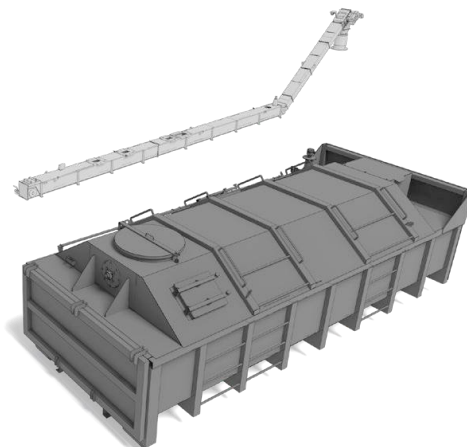
5 EQUIPMENT FOR IMPROVING EFFICIENCY

- | Flue gas condensing economiser
- | Dry-type economiser
- | Heat pumps



6 ASH DISPOSAL SYSTEM

- | Dry ashes scrapper conveyor
- | Wet ashes scrapper conveyor
- | Screw transporter for ashes
- | Rotary dispenser
- | Ash container
- | Other ash disposal elements



GET IN
TOUCH!



UAB „ENERGY ON“

V. Krėvės str. 26a - 2, LT-50412 Kaunas, Lithuania

+370 640 75762 | info@energy-on.lt | www.energy-on.lt